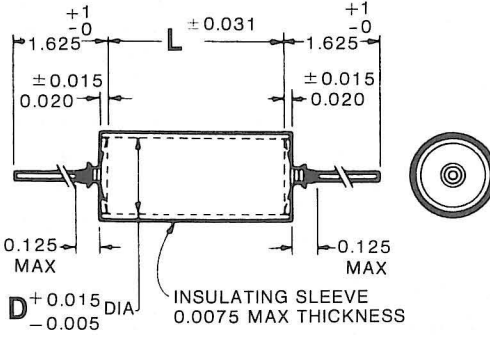
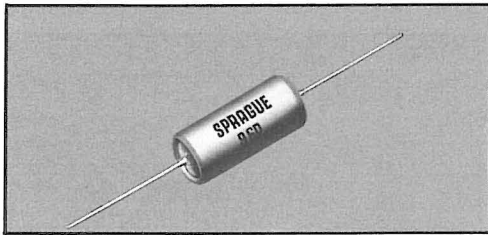




# TYPE 96P, 196P VITAMIN Q<sup>®</sup> SUBMINIATURE PAPER CAPACITORS



Size Code	D	L	Size Code	D	L
A	.238	.812	K	.625	1.487
B	.258	.812	L	.625	1.687
C	.297	.812	M	.625	1.937
D	.375	.937	N	.733	1.687
E	.463	.937	P	.733	1.937
F	.463	1.187	Q	.812	2.187
G	.463	1.437	R	.812	2.437
H	.625	1.187	S	1.062	1.937
J	.625	1.437	T	1.062	2.437

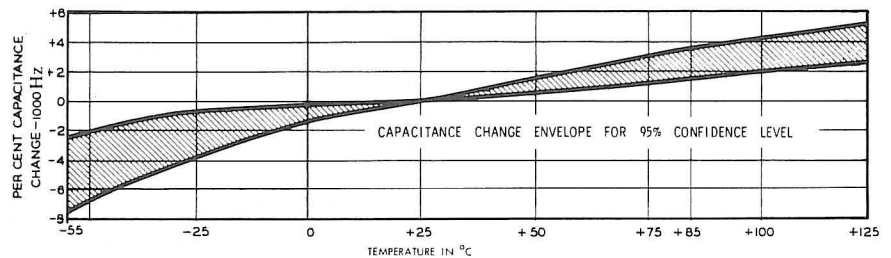
- Type 96P widely used in snubber applications requiring high reliability.
- Hermetically sealed in metal case.
- Electrically and mechanically designed to meet stringent operating requirements.
- Impregnated with Vitamin Q<sup>®</sup>, a substantially linear, controlled molecular weight hydrocarbon polymer, exclusive with Sprague.
- Vitamin Q impregnation provides higher insula-

- tion resistance, longer life than ordinary oils used in conventional capacitors.
- Exceed performance requirements of MIL-C-25A.
- Capacitors listed have outer plastic-film insulating sleeve. For bare case, change last digit of catalog number from 4 to 2 and subtract .04'' ( $\pm 0.03''$ ) from length and .015'' (Max.) from diameter.
- For complete data, refer to latest issue of Engineering Bulletin 2110.

## PERFORMANCE CHARACTERISTICS

- Operating Temperature Range:**  $-55^{\circ}\text{C}$  to  $+125^{\circ}\text{C}$ .
- Capacitance Tolerance:**  $\pm 10\%$ .
- Insulation Resistance:** (At  $+25^{\circ}\text{C}$ ) The minimum product of insulation resistance, expressed in megohms, and capacitance, expressed in microfarads, shall be 20,000 megohms-microfarads; in no case need the insulation resistance exceed 3,000 megohms.
- Dissipation Factor:** The maximum dissipation factor for all capacitors shall be 1%.
- Life Test:** Capacitors are capable of withstanding a 250 hour life test at 1.4 times rated voltage at  $125^{\circ}\text{C}$ . After test, capacitance changed by more than 5% of initial requirement, insulation shall not have resistance changed by more than 50% of initial requirement, and dissipation factor shall not exceed 1%.

CAPACITANCE vs. TEMPERATURE



$\mu\text{F}$	WVDC	Size Code	Catalog Number	$\mu\text{F}$	WVDC	Size Code	Catalog Number	$\mu\text{F}$	WVDC	Size Code	Catalog Number	$\mu\text{F}$	WVDC	Size Code	Catalog Number
---------------	------	-----------	----------------	---------------	------	-----------	----------------	---------------	------	-----------	----------------	---------------	------	-----------	----------------

### TYPE 96P, INSERTED TAB CONSTRUCTION, 125°C OPERATION

.001	100	A	96P10291S4	.01	100	A	96P10391S4	400	E	96P47394S4	200	G	96P22492S4		
	600	C	96P10296S4		400	C	96P10394S4		600	F	96P47396S4		300	H	96P22493S4
.0015	100	A	96P15291S4		600	D	96P10396S4	.068	200	D	96P68392S4		400	J	96P22494S4
	600	C	96P15296S4	.015	300	C	96P15393S4		300	E	96P68393S4		600	M	96P22496S4
.0022	600	C	96P22296S4	.022	100	B	96P22391S4	.1	100	D	96P10491S4	.47	100	F	96P47491S4
.0033	100	A	96P33291S4		200	C	96P22392S4		200	E	96P10492S4		200	J	96P47492S4
	600	C	96P33296S4		600	D	96P22396S4		300	F	96P10493S4		400	N	96P47494S4
.0047	100	A	96P47291S4	.033	100	C	96P33391S4		400	G	96P10494S4		600	Q	96P47496S4
	600	C	96P47296S4		400	D	96P33394S4	.1	600	H	96P10496S4	1.0	100	M	96P10591S4
.0068	600	C	96P68296S4	.047	300	D	96P47393S4		1000	L	96P104910S4		200	P	96P10592S4
								.22	100	F	96P22491S4		400	S	96P10594S4

### TYPE 196P, EXTENDED FOIL CONSTRUCTION, 125°C OPERATION

.001	600	C	196P10296S4	.027	200	D	196P27392S4	.1	100	E	196P10491S4	600	N	196P22496S4		
.0022	600	C	196P2296S4	.033	200	D	196P33392S4		200	F	196P10492S4	1000	Q	196P224910S4		
.0047	100	A	196P47291S4		600	F	196P33396S4		300	G	196P10493S4	.33	100	H	196P33491S4	
	300	C	196P47293S4	.039	100	D	196P39391S4		400	H	196P10494S4		47	100	K	196P47491S4
.01	100	C	196P103910S4	.047	100	D	196P47391S		600	J	196P10496S4		200	L	196P47492S4	
	600	D	196P10396S4		300	E	196P47393S4		1000	N	196P104910S4		400	Q	196P47494S4	
	1000	E	196P103910S4		400	F	196P47396S4	.15	200	G	196P15492S4		600	R	196P47496S4	
.015	100	C	196P15391S4		600	G	196P47396S4		400	J	196P15494S4	1000	T	196P474910S4		
	400	D	196P22393S4	.056	200	E	196P56392S4	.22	100	G	196P22491S4	.68	100	L	196P68491S4	
.022	300	D	196P22396S4	.068	200	E	196P68392S4		200	H	196P22492S4	1.0	100	N	196P10591S4	
	600	E	196P22396S4						400	L	196P22494S4		200	Q	196P10592S4	