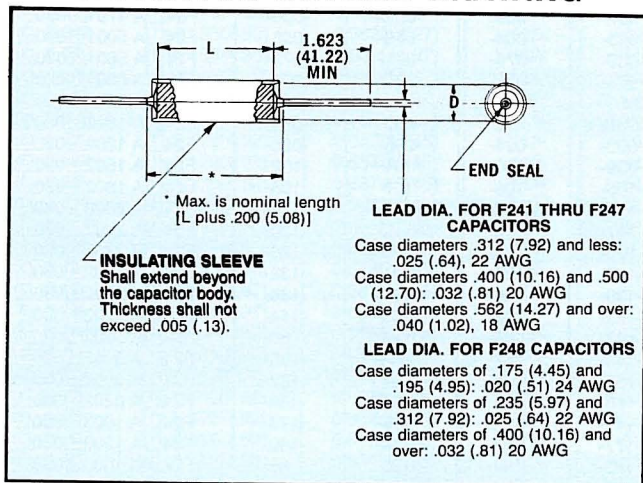


**METALLIZED POLYCARBONATE FILM CAPACITORS
(MIL - C - 83421/01, MIL - C - 39022/09 AND MIL - C - 39022/10)**

KEMET Metallized Polycarbonate Film Capacitors are designed for circuits requiring stable performance characteristics over a wide temperature range, small size, and operational reliability. They meet the same excellent quality standards associated with all other Union Carbide products. Electrical features include high insulation resistance, low dielectric absorption, low dissipation factor, and full voltage rating to 100°C. In addition, they are AC rated and have the self-healing properties that are inherent in a metallized dielectric. Typical applications include filtering, bypass, timing, SCR commu-

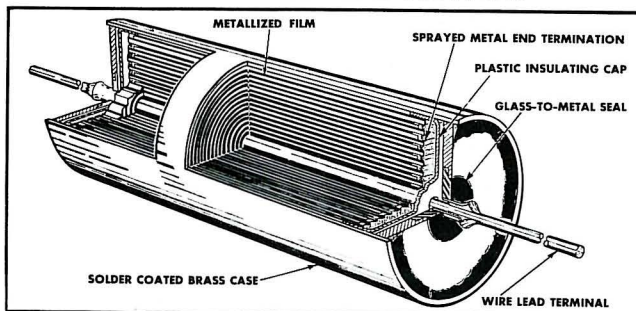
tating, and 400 Hz AC power circuits. Construction consists of high-purity metallized polycarbonate film with sprayed metal end terminations, hermetically sealed in ultra-small solder-coated tubular metal cases. The capacitance range is .001 to 22 μ F with a DC voltage rating range of 30 to 600 volts. The 400 Hz AC voltage ratings range is 22 to 240 VRMS. The appropriate series are capable of meeting MIL-C-83421 CRH and MIL-C-39022 CHR requirements (see table below). For additional information refer to the KEMET Metallized Polycarbonate Catalog Form F-2867.

CAPACITOR OUTLINE DRAWING



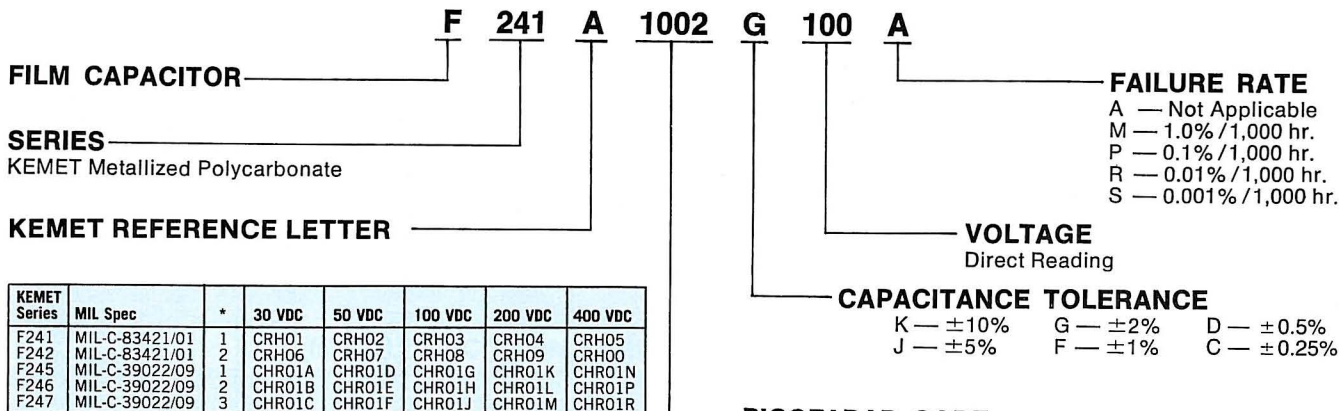
Millimeters are in parentheses — 1 inch = 25.4mm

TYPICAL HERMETICALLY SEALED METALLIZED CAPACITOR



Marking—Capacitors are printed with KEMET Series designation, capacitance, capacitance tolerance, voltage, and date code.

F24 — PART NUMBER IDENTIFICATION



KEMET Series	MIL Spec	*	30 VDC	50 VDC	100 VDC	200 VDC	400 VDC
F241	MIL-C-83421/01	1	CRH01	CRH02	CRH03	CRH04	CRH05
F242	MIL-C-83421/01	2	CRH06	CRH07	CRH08	CRH09	CRH00
F245	MIL-C-39022/09	1	CHR01A	CHR01D	CHR01G	CHR01K	CHR01N
F246	MIL-C-39022/09	2	CHR01B	CHR01E	CHR01H	CHR01L	CHR01P
F247	MIL-C-39022/09	3	CHR01C	CHR01F	CHR01J	CHR01M	CHR01R

KEMET Series	MIL Spec	50 VDC	100 VDC	200 VDC	300 VDC	400 VDC	600 VDC
F248	MIL-C-39022/10	CHR10	CHR10	CHR10	CHR10	CHR10	CHR10

* Quality Level

PICOFARAD CODE

First three digits represent significant figures. Fourth digit specifies number of zeros to follow.